

# C - series

centrifugal blowers

12/24 volt D.C.

and

230/400 volt A.C.

for

air circulation in  
engine rooms and  
enclosed spaces

- low flow rates at low/medium pressure
- air temperatures up to 80°C
- steel impeller in robust steel casing
- sizes from 70 watts to 1.5kW
- choice of left or right-hand rotation (non-reversible)

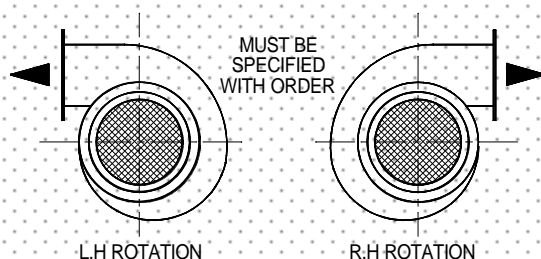
# GR

## BLOWERS

FOR

# BOATS

DOC289/99



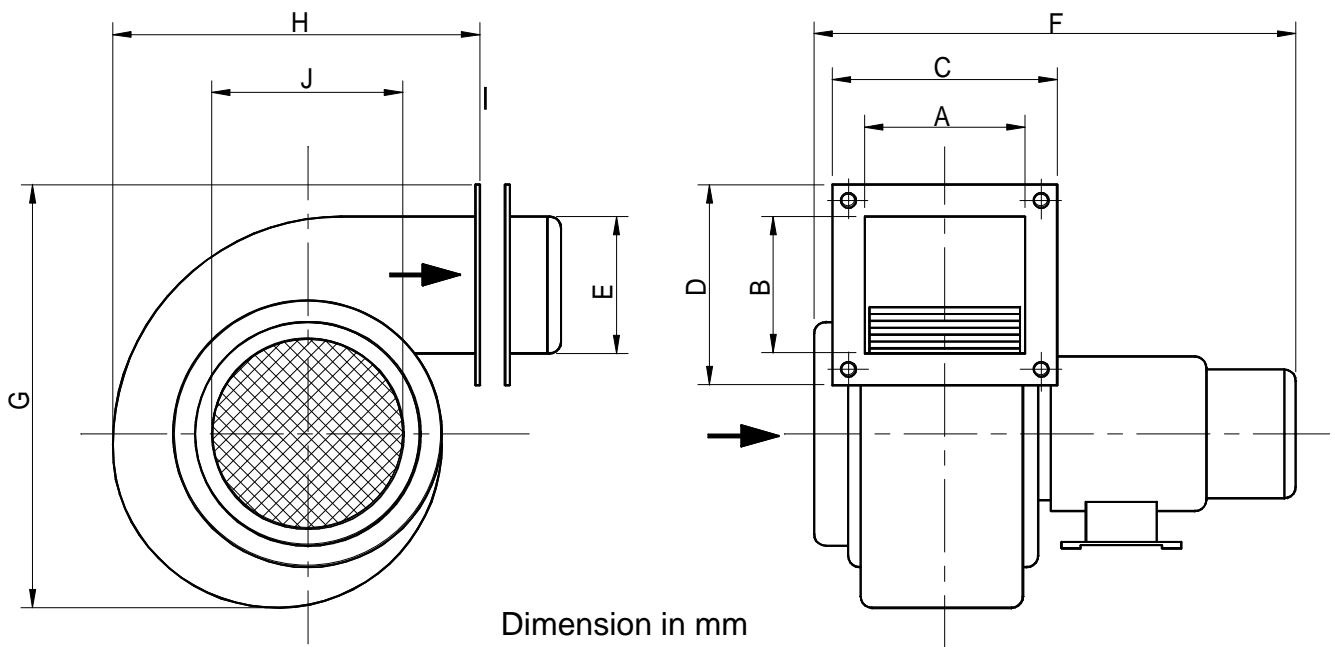
# GR CENTRIFUGAL BLOWERS

C - series

Performance of selected models. Contact Sales Office for full details of this range.

Type	MOTOR D.C. 12/24V	230V 1ph or 400V 3ph A.C.	RPM	CURRENT amps 24v**	NOISE dB/A***	MAX FLOW cu.m/min	MAX PRESSURE mm water gauge
C202 *	0.07 kW		2800	2.5	47	4.5	22
C402	0.11 kW		2000	10	56	15	30
C503A	0.3 kW		2700	16•	63	24	64
C503		0.37 kW	2800		63	24	64
C20/3	0.55 kW		2000	28•	58	37	63
C20		0.37 kW	1450		53	28	31
C25		1.1 kW	1450		62	55	48
C30		1.5 kW	1450		68	82	67

\*polymer fan \*\*multiply amps x 2 for 12 volt d.c. \*\*\*at 1.5 metres • 24 volt only



Type	A	B	C	D	E	F	G	H	J	Weight kg
C202	70	60	98	88	60	210	185	160	98	2.5
C402	110	85	155	130	98	370	260	220	140	7
C503A	110	110	150	150	118	330	320	280	158	9.5
C503	110	110	150	150	118	395	320	280	158	9.5
C20/3	160	160	215	215	160	500	420	340	200	20
C20	160	160	215	215	160	455	420	340	200	15
C25	200	200	265	265	-	485	520	415	250	22
C30	240	240	296	296	-	525	620	500	300	46

Supplied by: